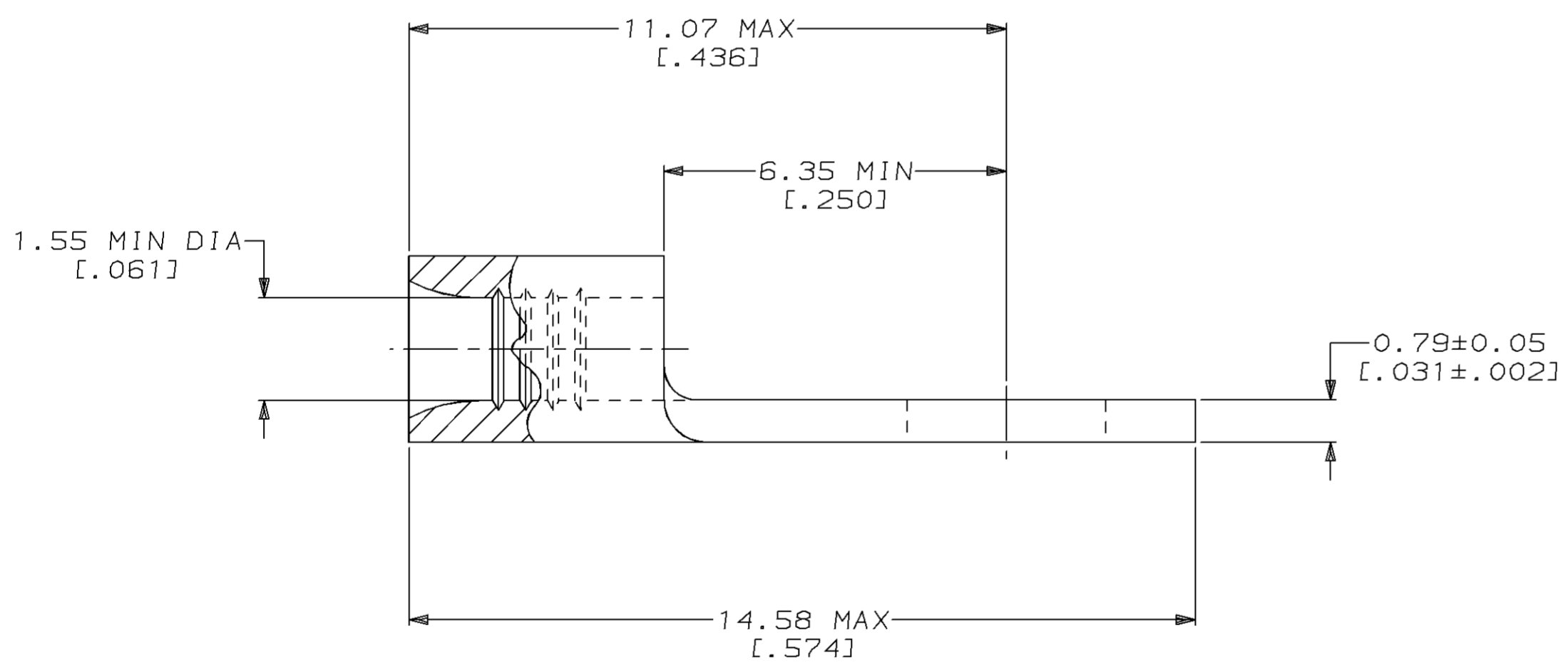
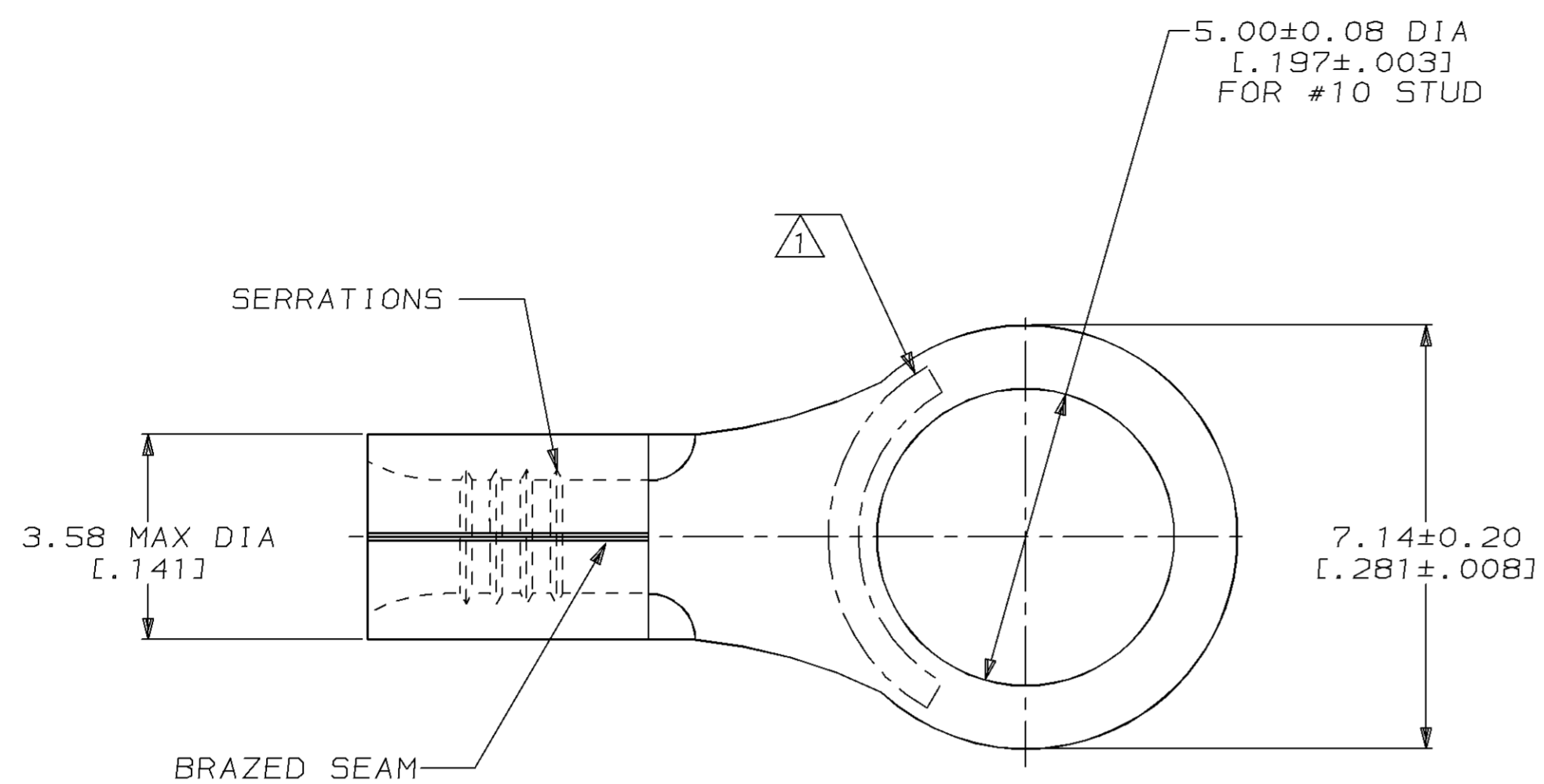


LOC	DIST	P	F	ZONE	LTR	DESCRIPTION	DATE	APPD
G	14				D	ADDED 1-34109-1 PER 0720-0436-94	22NOV94	OKS MLE

METRIC
 DIMENSIONS LISTED IN mm [INCHES]

AMP WIRE RANGE	UL E13288 Listed
22-16 AWG SOLID OR STRANDED	22-16 AWG SOLID OR STRANDED
SR LR7189 Certified	MILITARY P/N AND CLASS
22-16 AWG SOLID OR STRANDED	NOT APPLICABLE



- 1 STAMP AMP 22-18* APPROX AS SHOWN
22-16 TERMINALS ARE STAMPED 22-18 IN
ACCORDANCE WITH MILITARY SPEC MIL-7928
COMMERCIAL WIRE RANGE IS 22-16
- 2 TIN PL 0.00254 [.000100] MIN THK
PER MIL-T-10727
- 3 GOLD PL 0.00127 [.000050] MIN THK
PER MIL-G-45204 OVER NICKEL PL
0.00076 [.000030] MIN THK PER QQ-N-290

FINISH	QUANTITY	PACKAGING TYPE	PART NO
2	100	LOOSE PIECE, BOX	8-34109-1
2	5000	ON TAPE	2-34109-2
3	1000	LOOSE PIECE	1-34109-1
2	-	LOOSE PIECE	34109

AMP INCORPORATED
CUSTOMER SERVICE SYSTEMS

MAX RECOMMENDED OPERATING TEMPERATURE:
 170°C MAX

DO NOT SCALE PRINT.
 UNLESS SPECIFIED
 DIMENSIONS IN mm [INCHES]
 TOLERANCES ON:
 2 PLC DEC ± -
 3 PLC DEC ± -
 ANGLES ± -
 MATERIAL
 COPPER PER
 ASTM B-152
 ANNEALED
 FINISH
 SEE TABLE

DR 3-10-93
 TA BRINKMAN
 CHK 3-10-93
 DA PATTERSON
 APPD 3-10-93
 DE MILLER
 APPD 3-10-93
 JL MECKLEY
 PRODUCT SPEC
 -
 APPLICATION SPEC
 -
 WEIGHT -

AMP AMP Incorporated
 Harrisburg, PA 17105-3608
 NAME
**TERMINAL, RING TONGUE,
 SOLISTRAND™**
 SIZE CAGE CODE DRAWING NO
 C 00779 C=34109
 SCALE 10:1 SHEET 1 OF 1

FOR ADDITIONAL PRODUCT INFORMATION OR COPIES OF DRAWINGS AND TECHNICAL DOCUMENTS
 PRODUCT INFORMATION CENTER
 1-800-522-6752

FOR APPLICATION TOOLING INFORMATION
 TOOLING ASSISTANCE CENTER
 1-800-722-1111

FOR ORDER ENTRY
 1-800-526-5142

VOLTAGE RATING:
 NOT APPLICABLE

WIRE CROSS SECTIONAL AREA RANGE:
 0.26-1.65mm² [509-3,260] CIR MILS
 SOLID OR STRANDED

THIS DRAWING IS A CONTROLLED DOCUMENT FOR AMP INCORPORATED. IT IS SUBJECT TO CHANGE AND THE CONTROLLING ENGINEERING ORGANIZATION SHOULD BE CONTACTED FOR THE LATEST REVISION.